

Rubycon **HYBRID POLYMER CAPACITORS** **PEV**

PEV SERIES

UPGRADE



- Surface Mount Type
- Load life : 10000 hours at 105°C
- AEC-Q200 , 85°C/85% RH , RoHS Compliant

◆SPECIFICATIONS

Item	Characteristics													
Temperature Range	-55~+105°C													
Rated Voltage Range	25~80Vdc													
Capacitance Tolerance	±20% (20°C, 120Hz)													
Leakage Current (MAX)	I=0.01CV or 3μA After 2 minutes (whichever is greater.) I=(μA) Leakage Current C=(μF) Capacitance V=(Vdc) Rated Voltage													
Dissipation Factor (MAX)	<table border="1"> <tr> <td>(Vdc) Rated Voltage</td> <td>25</td> <td>35</td> <td>50</td> <td>63</td> <td>80</td> <td rowspan="2">(20°C, 120Hz)</td> </tr> <tr> <td>tan δ</td> <td>0.14</td> <td>0.12</td> <td>0.10</td> <td>0.08</td> <td>0.08</td> </tr> </table>	(Vdc) Rated Voltage	25	35	50	63	80	(20°C, 120Hz)	tan δ	0.14	0.12	0.10	0.08	0.08
(Vdc) Rated Voltage	25	35	50	63	80	(20°C, 120Hz)								
tan δ	0.14	0.12	0.10	0.08	0.08									
Endurance (Life)	After applying rated voltage with rated ripple current for 10000 hours at 105°C, the capacitors shall meet the following Criteria.													
Biased Humidity/Temperature 85°C/85%RH	After applying rated voltage for 2000 hours at 85°C and humidity of 85%, the capacitors shall meet the following Criteria .													
Criteria	<table border="1"> <tr> <td>Capacitance Change</td> <td>Within ±30% of the initial value.</td> </tr> <tr> <td>Dissipation Factor</td> <td>Not more than 200% of the specified value.</td> </tr> <tr> <td>ESR</td> <td>Not more than 200% of the specified value.</td> </tr> <tr> <td>Leakage Current</td> <td>Not more than the specified value.</td> </tr> </table>	Capacitance Change	Within ±30% of the initial value.	Dissipation Factor	Not more than 200% of the specified value.	ESR	Not more than 200% of the specified value.	Leakage Current	Not more than the specified value.					
Capacitance Change	Within ±30% of the initial value.													
Dissipation Factor	Not more than 200% of the specified value.													
ESR	Not more than 200% of the specified value.													
Leakage Current	Not more than the specified value.													
Low Temperature Stability Impedance Ratio (MAX)	Z(-55°C)/Z(+20°C) ≤ 2.0 (100kHz) Z(-25°C)/Z(+20°C) ≤ 1.5													

◆PART NUMBER CONSTRUCTION

□□□	PEV	□□□	M	□□□	φDxL
Rated Voltage	Series	Capacitance	Capacitance Tolerance	Option	Case Size

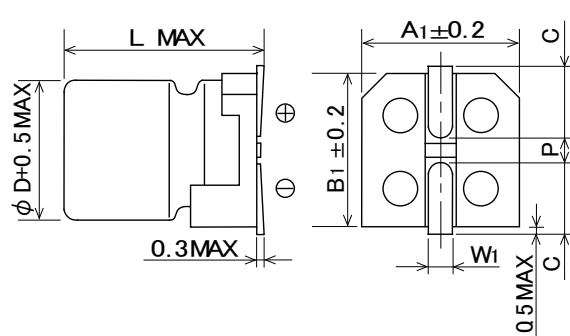
*Specifications subject to change without notice.



HYBRID POLYMER CAPACITORS

PEV

◆ DIMENSIONS



(mm)						
φD	L	A1	B1	C	W1	P
6.3	6.1	6.6	6.6	2.7	0.5~0.8	1.8
6.3	8	6.6	6.6	2.7	0.5~0.8	1.8
8	10.5	8.3	8.3	2.9	0.8~1.1	3.1
10	10.5	10.3	10.3	3.2	0.8~1.1	4.5

◆ Standard size

Rated Voltage (V)	Capacitance (μF)	Size φD × L (mm)	Dissipation Factor(MAX) 120Hz, 20°C	Leakage Current (μA/2min)	E.S.R (mΩ MAX)		Rated Ripple Current (mA rms/105°C, 100kHz)
					20°C, 100kHz	-40°C, 10kHz	
25	56	6.3 × 6.1	0.14	14.0	50	75	1300
	100	6.3 × 8	0.14	25.0	30	45	2000
	220	8 × 10.5	0.14	55.0	27	41	2300
	330	10 × 10.5	0.14	82.5	20	30	2500
35	47	6.3 × 6.1	0.12	16.4	60	90	1300
	68	6.3 × 8	0.12	23.8	35	53	2000
	150	8 × 10.5	0.12	52.5	27	41	2300
	270	10 × 10.5	0.12	94.5	20	30	2500
50	22	6.3 × 6.1	0.10	11.0	80	120	1100
	33	6.3 × 8	0.10	16.5	40	60	1600
	68	8 × 10.5	0.10	34.0	30	45	1800
	100	10 × 10.5	0.10	50.0	28	42	2000
63	10	6.3 × 6.1	0.08	6.3	120	180	1000
	22	6.3 × 8	0.08	13.8	80	120	1500
	33	8 × 10.5	0.08	20.8	40	60	1700
	56	10 × 10.5	0.08	35.3	30	45	1800
NEW 80	22	8 × 10.5	0.08	17.6	45	68	1600
	39	10 × 10.5	0.08	31.2	35	53	1700

◆ FREQUENCY CORRECTION COEFFICIENT FOR RIPPLE CURRENT

f (Hz) Frequency	120	1k	10k	100k≤
Coefficient	0.05	0.30	0.70	1.00

*Specifications subject to change without notice.