



正基科技股份有限公司



AP6611S

Evaluation Board User Manual

Address:

3F, No.15-1, Zhonghua Road, Hsinchu Industril Park, Hukou, Hsinchu,
Taiwan, 30352

Website: <http://www.ampak.com.tw/>



Revision

Revision	Date	Description	Revised By
0.1	2023/11/13	Initial released	Ali

Contents

1. EVB Introduction	2
2. WiFi Function Verification Step	3
2.1 WiFi SDIO	3
2.2 SDIO Hardware Setup	4
2.3 WiFi Software Setup	4
3. Bluetooth Function Verification Step	5



1. EVB Introduction

AP6611S Evaluation board (EVB) likes as figure1. That is designed for IEEE802.11 a/b/g/n/ac/ax WLAN with integrated Bluetooth application. It is subject to provide a convenient environment for customer’s verification on WiFi or Bluetooth function. There are many controller pins and reserved GPIO on Evaluation board which describes as below.

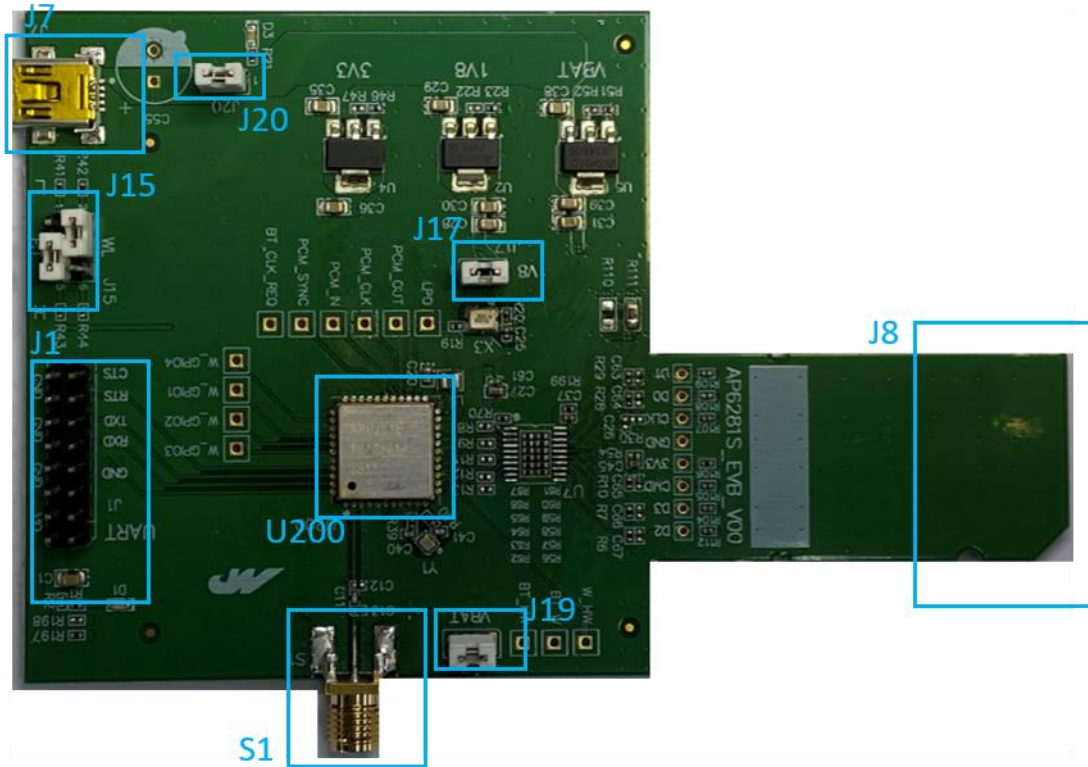


Figure1. Top view of AP6281S & AP6611S EVB

Interface highlights:

1. U200: AP6611S SIP module.
2. J1: UART interface connects with UART transport board for BT measuring
3. J15: Enable(H) or disable(L) Bluetooth, WiFi function
4. J19: VBAT power source.
5. J17: VDDIO power source.
6. J7: 5V DC mini USB input connector for SDIO interface.
7. J8: Standard SDIO interfaces for Wi-Fi performance measured.
8. S1: SMA connector let RF ANT1 signal in/out path(WiFi and Bluetooth share antenna for AP6281), you could connect with RF cable or Dipole antenna.



2. WiFi Function Verification Step

2.1 WiFi SDIO

Using external pull up resistors depends on the SDIO supply voltage. The resistance range is 30 K Ω ~40 K Ω on the four data lines and the CMD line as the following circuitry.

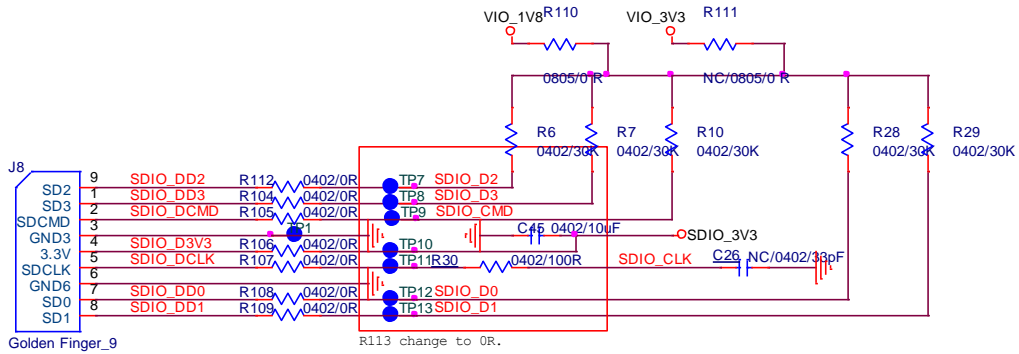


Figure2. WiFi verification connection interface to Host SDIO as using SDIO2.0

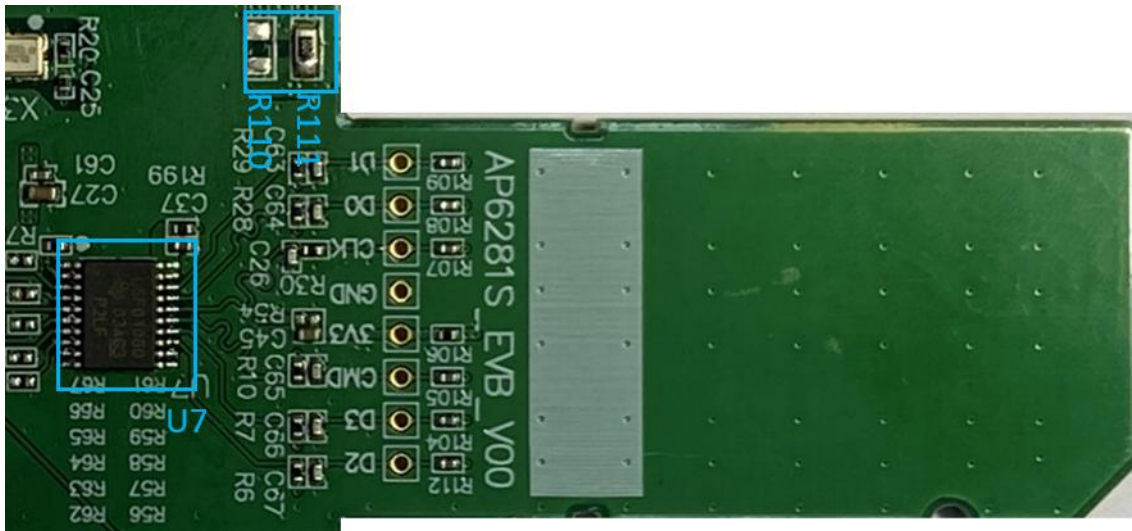


Figure3. EVB interface to HOST SDIO 2.0.

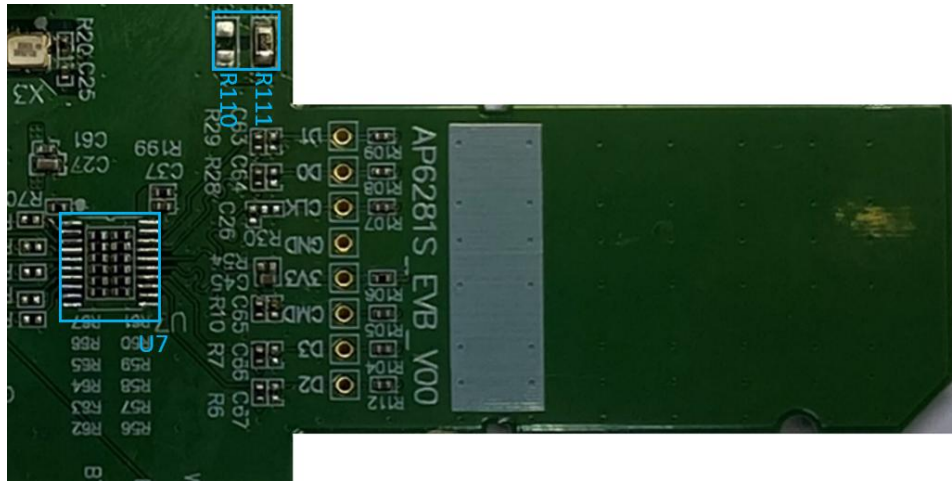


Figure 4. EVB interface to HOST SDIO 3.0.

SDIO 2.0 Hardware Setup:

- ✧ Pull up voltage should be 3.3V, so make sure R111 is existed.

SDIO 3.0 Hardware Setup:

- ✧ Pull up voltage should be 1.8V, so make sure R110 is existed.
- ✧ C26/63/64/65/66/67, remove it.

2.2 SDIO Hardware Setup

- ❖ Refer to Figure 2 SDIO pin definition connects the J8 interface of AP6281S evaluation board to Host SDIO control interface.
- ❖ Using pull high resistors (R6, R7, R10, R28, R29) that resistance is 30Kohm for 1.8V or 3.3V VDDIO pull up voltage. (Pull high resistors are un-necessary if at verification phase.)
- ❖ Connects an external antenna at SMA connector on the evaluation board.
- ❖ Note to the VDDIO voltage level should be the same with GPIO voltage level of Host CPU. (U7 is voltage level shift to 3.3V.)

2.3 WiFi Software Setup

- ❖ Please follow up software guideline of Ampak official released.



3. Bluetooth Function Verification Step

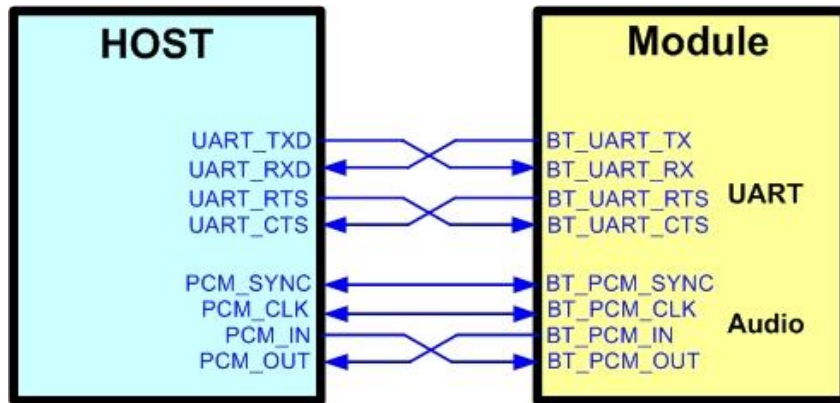


Figure5. Bluetooth verification connection interface to Host UART

Hardware Setup:

- ❖ Refer to Figure5 UART pin definition connects the J16 interface of AP6281 evaluation board to Host UART control interface.
- ❖ Connects an external antenna at SMA connector on the evaluation board.
- ❖ Note to the VDDIO voltage level should be the same as GPIO voltage level of Host CPU.

WiFi and Bluetooth software setup:

- ❖ Please follow up software guideline of Ampak official released.

