



Knowles High-Performance Digital Voice Vibration Sensor V2S200D

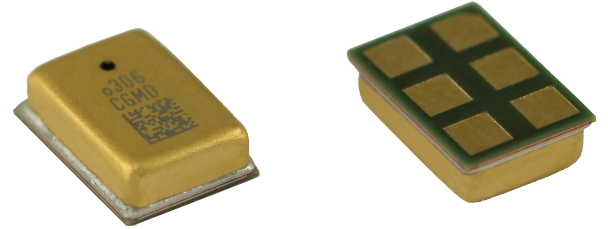
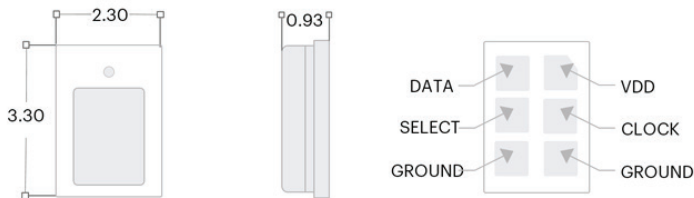
V2S200D PRODUCT OVERVIEW:

- » Specialized sensor to improve voice call quality by rejecting ambient noise
- » Up to 50dB environmental noise suppression outdoors and indoors
- » Higher SNR and bandwidth vs typical sensors for excellent fidelity
- » Size and power optimized for TWS application
- » Ease of integration with PDM interface
- » No specialized handling needed during integration into final product

TYPICAL APPLICATIONS:

- » Self-Speech Pick-up
- » Imposter rejection
- » Noise suppression
- » Fault detection in rotating machines
- » Voice Activity Detection
- » Vibration pick-up for noise cancellation

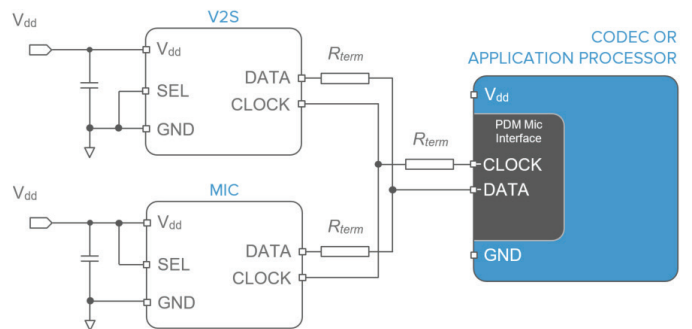
DIMENSIONS (MM):



KEY PARAMETERS	SPECIFICATIONS
Signal-to-noise ratio (SNR)	64.5 dB (A)
Bandwidth (± 3 dB)	4 kHz
Current consumption (Low Pwr Mode/ Normal Mode)	290uA / 700uA
Sensitivity and Tolerance	-25 \pm 1.5 dB FS
Supply voltage	1.65 to 3.3V
Interface	PDM Digital
Clock Rates Supported (Low Pwr Mode/ Normal Mode)	600KHz – 950KHz / 1.2MHz - 3.3 MHz
Package dimensions	3.30 x 2.30 x 0.93 mm

APPLICATION NOTES:

Typical stereo mode application circuit



Note: The above block diagram is for illustrative purposes only. Specific connectivity recommendations from the CODEC manufacturer should be followed.

For more information, visit <https://www.knowles.com/V2S>, email us at sales@knowles.com, or contact your nearest Knowles representative.

© 2023, Knowles Electronics, LLC, Itasca, IL USA. All Rights Reserved. Knowles and the logo are trademarks of Knowles Electronics, LLC.

The information given in this document shall in no event be regarded as a guarantee of conditions or characteristics. With respect to any examples given herein, any typical values stated herein and/or any information regarding the application of the device, Knowles Electronics, LLC hereby disclaims any and all warranties and liabilities of any kind, including without limitation warranties of non-infringement of intellectual property rights of any third party.