

**PFV SERIES**
**NEW**
**Load Life : 125°C 4000 hours (Hybrid Type), Chip Type**
**◆FEATURES**

- High Voltage (~63Vdc), Ultra Low ESR, High Ripple Current, Miniaturized.
- Lead free reflow soldering is available
- RoHS compliance.


**◆SPECIFICATIONS**

Items	Characteristics								
Category Temperature Range	-55~+125°C								
Rated Voltage Range	25~63Vdc								
Capacitance Tolerance	±20% (20°C, 120Hz)								
Leakage Current(MAX)	The value is shown in "STANDARD SIZE" table (After 2 minutes)								
Dissipation Factor(MAX) (tanδ)	The value is shown in "STANDARD SIZE" table (20°C, 120Hz)								
Endurance	After applying rated voltage with rated ripple current for 4000 hours at 125°C, the capacitors shall meet the following requirements. <table border="1" style="margin-left: 20px;"> <tr> <td>Capacitance Change</td> <td>Within ±30% of the initial value.</td> </tr> <tr> <td>Dissipation Factor</td> <td>Not more than 200% of the initial specified value.</td> </tr> <tr> <td>E.S.R.</td> <td>Not more than 200% of the initial specified value.</td> </tr> <tr> <td>Leakage Current</td> <td>Not more than the initial specified value.</td> </tr> </table>	Capacitance Change	Within ±30% of the initial value.	Dissipation Factor	Not more than 200% of the initial specified value.	E.S.R.	Not more than 200% of the initial specified value.	Leakage Current	Not more than the initial specified value.
Capacitance Change	Within ±30% of the initial value.								
Dissipation Factor	Not more than 200% of the initial specified value.								
E.S.R.	Not more than 200% of the initial specified value.								
Leakage Current	Not more than the initial specified value.								
Biased Humidity	After applying rated voltage for 2000 hours at 85°C and humidity of 85%, the capacitors shall meet the following requirements. <table border="1" style="margin-left: 20px;"> <tr> <td>Capacitance Change</td> <td>Within ±30% of the initial value.</td> </tr> <tr> <td>Dissipation Factor</td> <td>Not more than 200% of the initial specified value.</td> </tr> <tr> <td>E.S.R.</td> <td>Not more than 200% of the initial specified value.</td> </tr> <tr> <td>Leakage Current</td> <td>Not more than the initial specified value.</td> </tr> </table>	Capacitance Change	Within ±30% of the initial value.	Dissipation Factor	Not more than 200% of the initial specified value.	E.S.R.	Not more than 200% of the initial specified value.	Leakage Current	Not more than the initial specified value.
Capacitance Change	Within ±30% of the initial value.								
Dissipation Factor	Not more than 200% of the initial specified value.								
E.S.R.	Not more than 200% of the initial specified value.								
Leakage Current	Not more than the initial specified value.								
Low Temperature Characteristics Impedance Ratio(MAX)	$Z(-55^{\circ}\text{C})/Z(+20^{\circ}\text{C}) \leq 2.0$ (100kHz) $Z(-25^{\circ}\text{C})/Z(+20^{\circ}\text{C}) \leq 1.5$								

**◆PART NUMBER**

□□□	PFV	□□□□□	M	□□□	DXL
Rated Voltage	Series	Capacitance	Capacitance Tolerance	Option	Case Size

**◆MULTIPLIER FOR RIPPLE CURRENT**

Frequency (Hz)	120	1k	10k	100k≤
Coefficient	0.05	0.30	0.70	1.00

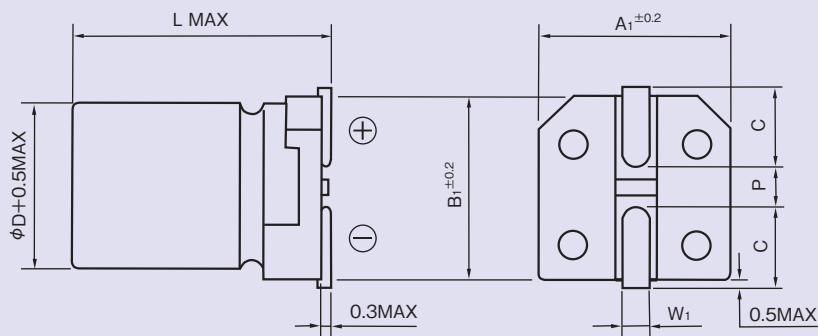
**◆MARKING**

※Voltage code

Rated Voltage (Vdc)	25	35	50	63
Voltage code	E	V	H	J

**◆ DIMENSIONS**

(mm)



φD	L	A1	B1	C	W1	P
6.3	6.1	6.6	6.6	2.7	0.5~0.8	1.8
6.3	8	6.6	6.6	2.7	0.5~0.8	1.8
8	10.5	8.3	8.3	2.9	0.8~1.1	3.1
10	10.5	10.3	10.3	3.2	0.8~1.1	4.5

※Vibration proof package is also available for φ8 and φ10. For details, please refer to chip aluminum electrolytic capacitors section.

**◆ STANDARD SIZE**

Rated Voltage (Vdc)	Capacitance (μF)	Size φD×L (mm)	(tanδ) (120Hz, 20°C)	Leakage Current (μA/2min)	E.S.R. (mΩ max/20°C, 100kHz)	Rated Ripple Current (mA rms/125°C, 100kHz)
25	56	6.3×6.1	0.14	14.0	50	900
	100	6.3×8	0.14	25.0	30	1400
	220	8×10.5	0.14	55.0	27	1600
	330	10×10.5	0.14	82.5	20	2000
35	47	6.3×6.1	0.12	16.4	60	900
	68	6.3×8	0.12	23.8	35	1400
	150	8×10.5	0.12	52.5	27	1600
	270	10×10.5	0.12	94.5	20	2000
50	22	6.3×6.1	0.10	11.0	80	750
	33	6.3×8	0.10	16.5	40	1100
	68	8×10.5	0.10	34.0	30	1250
	100	10×10.5	0.10	50.0	28	1600
63	10	6.3×6.1	0.08	6.3	120	700
	22	6.3×8	0.08	13.8	80	900
	33	8×10.5	0.08	20.8	40	1100
	56	10×10.5	0.08	35.3	30	1400